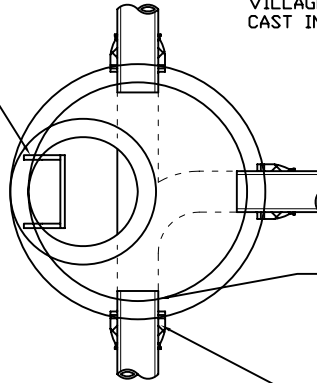


PLASTIC MANHOLE STEPS 1'-4" O.C.
M.A. INDUSTRIES CAT. NO. M.A. PS IPF
OR APPROVED EQUAL.

THE WORDS "SANITARY" OR CITY /
VILLAGE AS APPLICABLE SHALL BE
CAST IN THE LID.

CAST IRON MANHOLE FRAME AND
SOLID LID, LID WITH CONSEALED
PICKHOLE AND WATERTIGHT GASKET
NEENAH F.D.Y. CO. CAT. # R-1712-B,
E. JORDAN IRON WORKS CO. CAT. #
1051-3 (EXTRA HEAVY DUTY COVER)
OR APPROVED EQUAL IN PAVED AREAS
IN OTHER AREAS USE R-1772-B
(NEENAH), 1022-1 (MED. COVER)
(E. JORDAN), IN NON-PAVED AREAS
SET FRAME IN BUTYL ROPE.



SPACE BETWEEN PIPE
AND WALL OF MANHOLE TO
BE COMPLETELY FILLED
WITH NON-SHRINKING GROUT.
(TYPICAL)

FLEXIBLE RUBBER WATER
TIGHT CONNECTOR PER ASTM
C-923

8' MAX. (2 RINGS TOTAL) PRECAST CONCRETE
ADJUSTING RINGS SET IN BUTYL ROPE.
ADAPTOR-SEAL, INFI-SHIELD, CANUSA (WRAPID
SEAL), FLEXRIB OR APPROVED EQUAL CHIMNEY
SEALS IS REQUIRED FOR ALL FRAMES AND
ADJUSTING RINGS IN ALL AREAS OR APPLICATIONS.

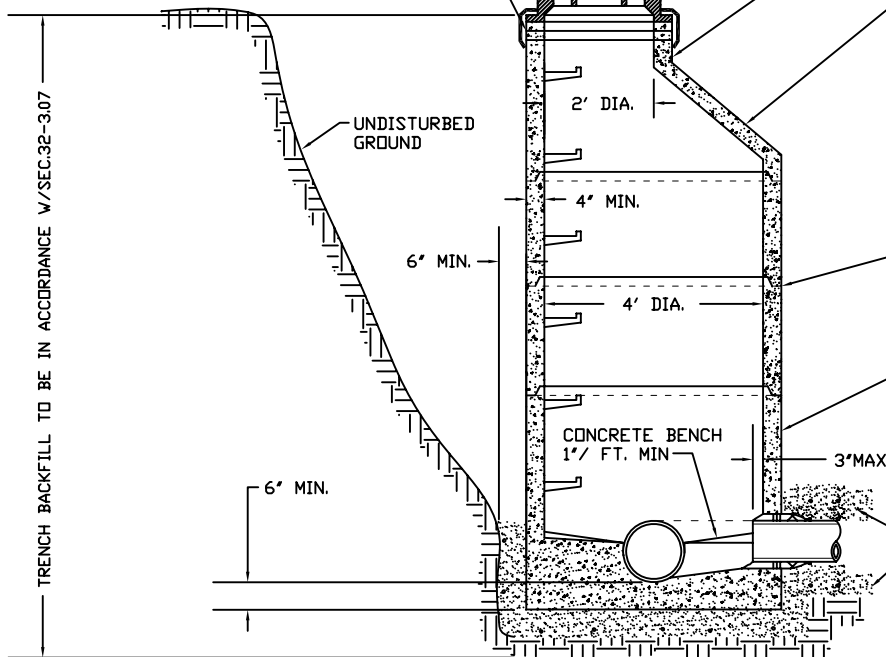
3" MONOLITHIC LIP REQUIRED ON ALL
STRUCTURES FOR SEALING OF CHIMNEY
SEAL.

ANY MANHOLE, WHICH HAS BEEN DISTURBED
IN ANY WAY, INCLUDING BEING RAISED OR
LOWERED, SHOULD BE CLEANED AND DRIED
BEFORE RE-SEALING. AN APPROVED CHIMNEY
SEAL IS REQUIRED (SEE NOTE AT LEFT).
EACH EXPOSED JOINT SHALL BE SEALED WITH
A DOUBLE LAYER OF BUTYL ROPE AND
EXTERNALLY SEALED PER THE NOTE SHOWN
BELOW. AS WITH NEWLY CONSTRUCTED
MANHOLES ONLY 8" OF ADJUSTING RINGS (2
RINGS TOTAL) IS ALLOWED.

JOINTS SHALL BE EXTERNALLY SEALED WITH
A 6" OR 9" WIDE BAND OF RUBBER AND
MASTIC CONFORMING TO ASTM C-877,
TYPE 2 OR TYPE 3

PRECAST REINFORCED CONCRETE MANHOLE
SECTIONS) A.S.T.M. C-478-SET IN BUTYL
ROPE. SEAL LIFT LUG HOLES WATERTIGHT.

CRUSHED STONE OR CRUSHED GRAVEL,
CA-7 CLASS 1A. 12" MIN. COVER
REQUIRED. 6" MIN. REQUIRED UNDER
MANHOLE AND ALL PIPES.



NOTE

INVERTS OF ALL INCOMING PIPES SHALL BE DETERMINED BY
MATCHING ELEVATIONS OF THE TOP OF ALL PIPES. A
PRE-FORMED FLOW LINE SHALL BE MADE IN THE BENCH. NO
FLOWS SHALL DISCHARGE ONTO THE BENCH OR FALL MORE
THAN ONE TENTH OF ONE FOOT INTO ANY FLOW CHANNEL.

TYPE " A " MANHOLE

Fox Metro
Water Reclamation District

DESIGNED FMWRD	REVISION	2010
DRAWN KWZ	C External Seal Note	02/03/05
APPROVED JH	D Invert Notes	01/30/06
DATE 05-12-00	E Chimney Seal Note	03/19/07
SCALE NTS	F Note Revisions	04/29/08
SHEET 1	CAD DWG.	REVISION F
OF 1	JOB NO.	