

EXISTING STRUCTURE

EXISTING SERVICE MADE OF V.C.P., D.I.P. OR C.I.P. TO BE REMOVED.

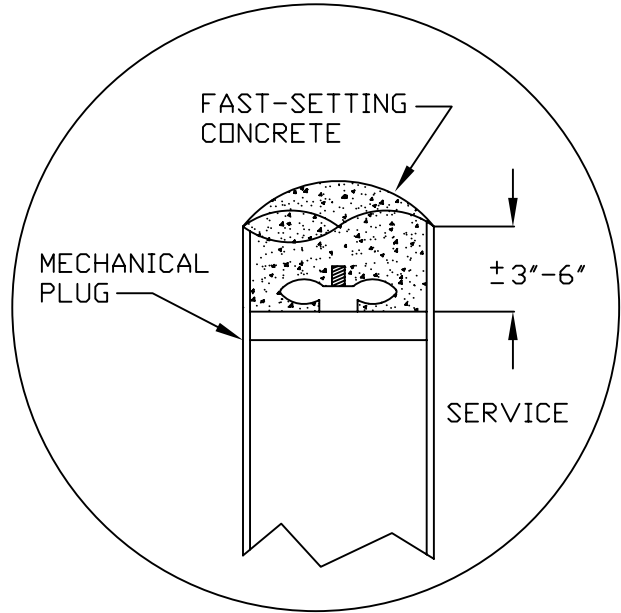
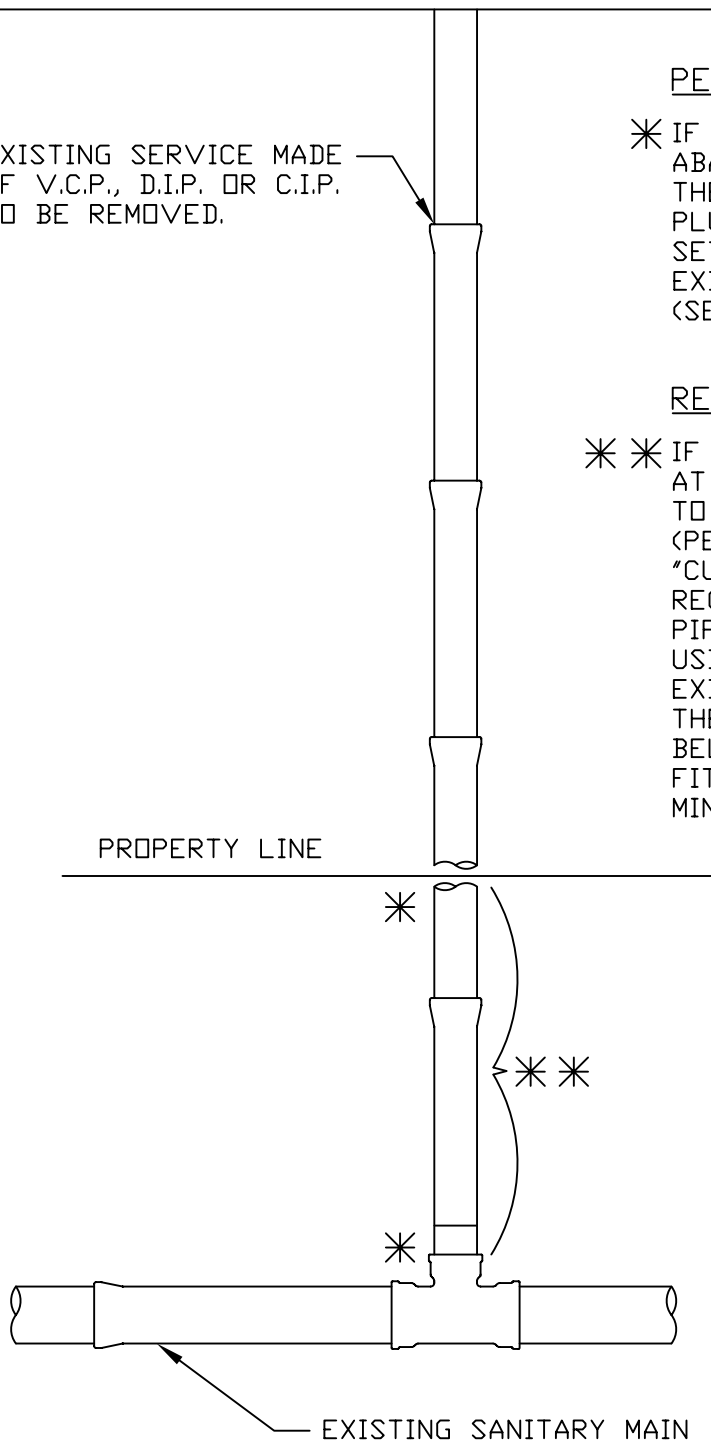
PERMANENT ABANDONMENT

* IF SERVICE IS TO BE PERMANENTLY ABANDONED, IT SHALL BE REMOVED TO THE PROPERTY LINE, MECHANICALLY PLUGGED, AND SEALED WITH A FAST-SETTING MORTAR. IF "SHORT-SIDE MAIN EXISTS, ABANDON SERVICE TO THE TEE. (SEE INSET BELOW)

RE-CONSTRUCTION

* * IF SERVICE IS TO BE RE-CONSTRUCTED AT A LATER DATE, IT WILL EITHER NEED TO BE REPLACED TO THE MAIN OR LINED (PER FOX METRO SPECIFICATION FOR "CURED IN PLACE PIPE"). IF RECONSTRUCTING, CONNECT NEW P.V.C. PIPE TO A 1' LENGTH OF EXISTING PIPE USING A NON-SHEAR COUPLING. IF THE EXISTING TEE IS NOT ACCEPTABLE, PLUG THE TEE (PER "*" ABOVE AND INSET BELOW) AND USE AN INSERT-A-TEE BRAND FITTING TO CONNECT NEW SERVICE A MINIMUM OF 2' FROM OLD TEE.

PROPERTY LINE



SANITARY SEWER SERVICE ABANDONMENT/RECONSTRUCTION

Fox Metro
Water Reclamation District

DESIGNED FMWRD	REVISION	2010
DRAWN KWZ	A Inset & Note Revision	03/19/07
APPROVED JH	B Removed Temporary Abandonment Note	04/29/08
DATE 05-09-06		
SCALE NTS		
SHEET 1	CAD DWG.	REVISION
OF 1	JOB NO.	B