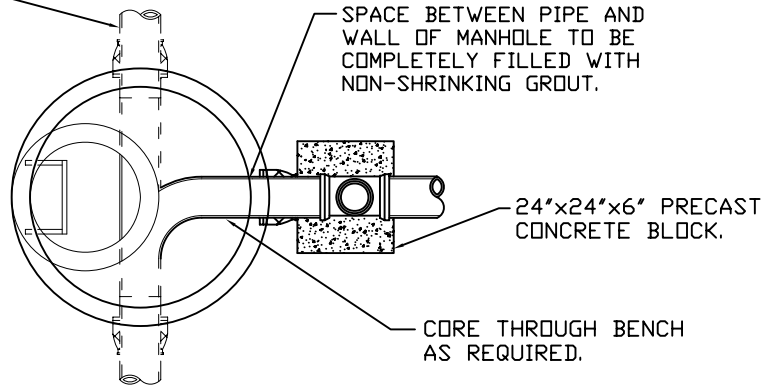


EXISTING SANITARY SEWERS AS SHOWN ON PLANS

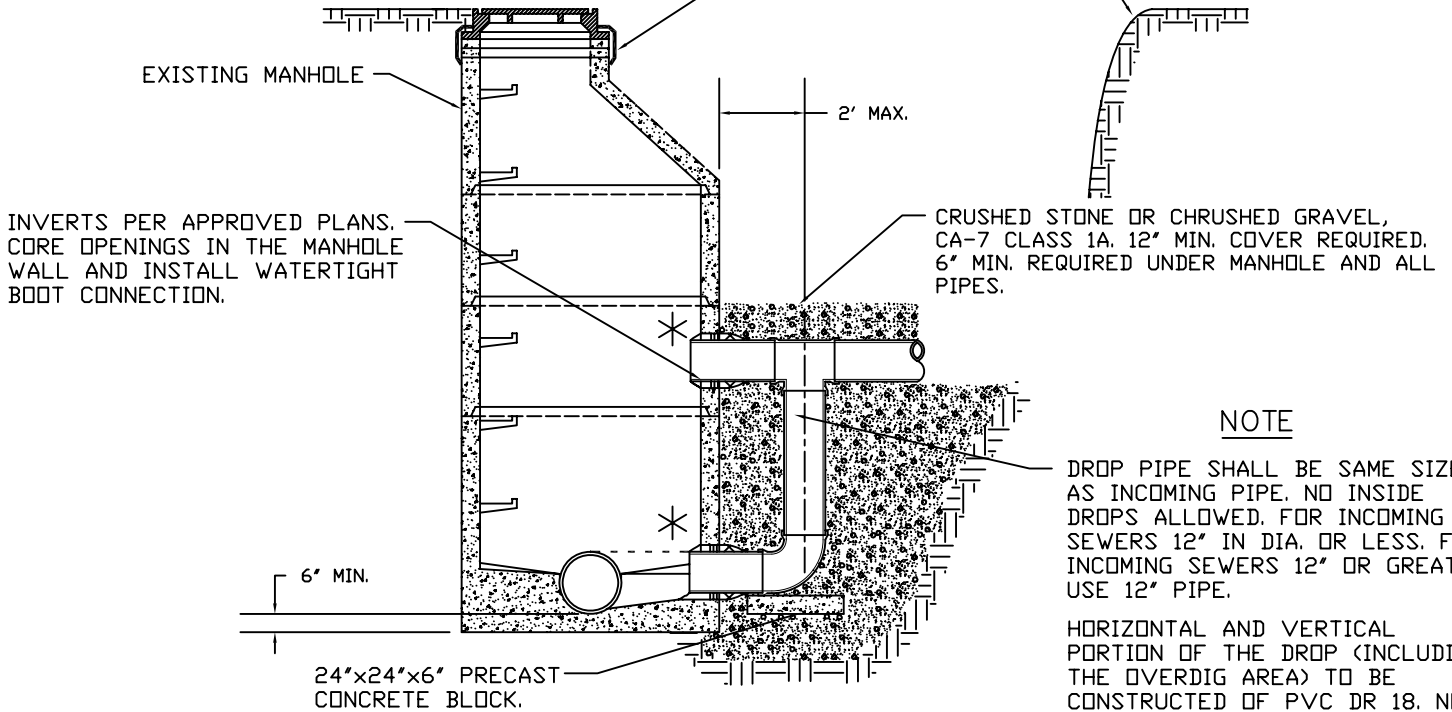
SPACE BETWEEN PIPE AND WALL OF MANHOLE TO BE COMPLETELY FILLED WITH NON-SHRINKING GROUT.

ANY MANHOLE, WHICH HAS BEEN DISTURBED IN ANY WAY, INCLUDING BEING RAISED OR LOWERED, SHOULD BE CLEANED AND DRIED BEFORE RE-SEALING. EACH JOINT SHALL BE SEALED WITH A DOUBLE LAYER OF BUTYL ROPE AND EXTERNALLY SEALED WITH A 6" OR 9" WIDE BAND OF RUBBER AND MASTIC CONFORMING TO ASTM C-877 TYPE 2 OR TYPE 3.



AS WITH NEWLY CONSTRUCTED MANHOLES ONLY 8" OF ADJUSTING RINGS (2 RINGS TOTAL) IS ALLOWED. ADAPTOR-SEAL, INFI-SHIELD, CANUSA (WRAPID SEAL), FLEXRIB OR APPROVED EQUAL CHIMNEY SEALS IS REQUIRED IF EXISTING SEAL IS DAMAGED OR DOES NOT EXIST.

APPROVED CHIMNEY SEAL SHALL BE ADDED WHEN DROP IS CONSTRUCTED. (SEE NOTE AT LEFT)



NOTE

DROP PIPE SHALL BE SAME SIZE AS INCOMING PIPE. NO INSIDE DROPS ALLOWED. FOR INCOMING SEWERS 12" IN DIA. OR LESS, FOR INCOMING SEWERS 12" OR GREATER, USE 12" PIPE.

HORIZONTAL AND VERTICAL PORTION OF THE DROP (INCLUDING THE OVERDIG AREA) TO BE CONSTRUCTED OF PVC DR 18. NO DUCTILE IRON PIPE ALLOWED.

NOTE

* INVERT OF LOWER INCOMING PIPE SHALL BE DETERMINED BY MATCHING ELEVATIONS OF THE TOP OF ALL PIPES. A PRE-FORMED FLOW LINE SHALL BE MADE IN BENCH. NO FLOWS SHALL DISCHARGE ON THE BENCH. SEE FOX METRO'S "PIPE TO EXISTING MANHOLE CONNECTION" DETAIL FOR MORE INFORMATION. DO NOT ENCASE DROP CONNECTION IN CONCRETE.

DROP CONNECTION ADDED TO EXISTING MANHOLE

Fox Metro
Water Reclamation District

DESIGNED FMWRD	REVISION	2010
DRAWN KWZ	C	Note Revision 01/05/04
APPROVED JH	D	Note Revision 02/03/05
DATE 05-12-00	E	Drop & Chimney Seal Note 01/30/05
SCALE NTS	F	Chimney Seal Note 04/28/08
SHEET 1	CAD DWG.	REVISION F
OF 1	JOB NO.	